

·GH·
MOTION

MARINE SOLUTIONS



·GH·
CRANES & COMPONENTS

-GH-

MOTION

Marine Solutions

MOBILITY AND LIFTING SOLUTIONS WITH MAXIMUM RELIABILITY

At GH, we look to help our clients stay as profitable as possible, by providing the best possible service and product for your operation. We provide machines designed with flexible, individualized solutions and designs, resulting in robust structures to increase productivity and maximize operational safety. We also offer maintenance plans according to the client's need, which helps to minimize production downtime – thanks to an international, yet local, customer service network, an extensive stock of replacement parts, and available client and remote monitoring



PROXIMITY

To offer the best possible service, we think it's important to be close to our customers, so that we may understand the realities and needs of their business.



QUALITY

We are committed to providing high-quality, innovative technological solutions.



PERSONAL APPROACH

We are a team of individuals committed to offering our clients the very best quality and service.





Boat hoists



Marine jib cranes



Dry docks



Boat transporter



Marine Solutions

DELIVERING EFFICIENCY. WE UNDERSTAND YOUR BUSINESS.

We are focused on delivering **efficiency** for your dry dock/shipyard operations. We design your individualized crane to do just that.

Our range of lifting applications for the marine sector provide the safety and operability that today's marinas, dry docks, and shipyards need, while helping to get the most out of your equipment and infrastructure.



BOAT HOISTS



Our machines have all of the right components to provide the best possible service and maximized profitability for our clients.

FLEXIBLE, FAST, AND MANEUVERABLE

Designed to optimize handling and maneuvering to get the most out of your dry dock.

HEAVY-DUTY, ROBUST, AND RELIABLE

Maintaining the same productivity standards for years in harsh marine environment conditions.

SAFE

Equipped with all safety components, solid tires, emergency stop buttons on all legs, and a remote control reset button. Capacity overload protection and 100% OSHA compliant

CUSTOMIZED

Ready for demanding marine environments: Custom dimensions, anti-corrosion paint, climate control components, adaptable slings, and optional amphibious gantry cranes.

OPTIONAL

- JIB CRANES
 - GH. Cap: 2 t - Arm: 5m
 - COMMERCIAL (inquire)
- REMOTE CONTROL WITH WEIGHT DISPLAY
- CAB
- EXTRA HEIGHT
- SPLIT SLINGS
- BOAT COLLISION PROTECTION
- REMOTE CONNECTION WITH A SPECIALIST
- AMPHIBIOUS



RECOMMENDED BOAT Length (L) / Beam (B) in metres

LIGHT MODELS					INTERMEDIATE MODELS				HEAVY MODELS			
GH25 22t	GH35 32t	GH50 45t	GH70 64t	GH82 75t	GH110 100t	GH165 150t	GH220 200t	GH275 250t	GH330 300t	GH440 400t	GH500 450t	GH550 500t
L B	L B	L B	L B	L B	L B	L B	L B	L B	L B	L B	L B	L B
16 4.9	18 5.3	20 5.8	22 6.1	26 6.9	30 7.4	37 7.9	40 8.5	48 8.5	52 9.6	60 10	64 10.5	68 11

TYPES OF ROTATION

The following are the four steering modes offered by our marine solutions.



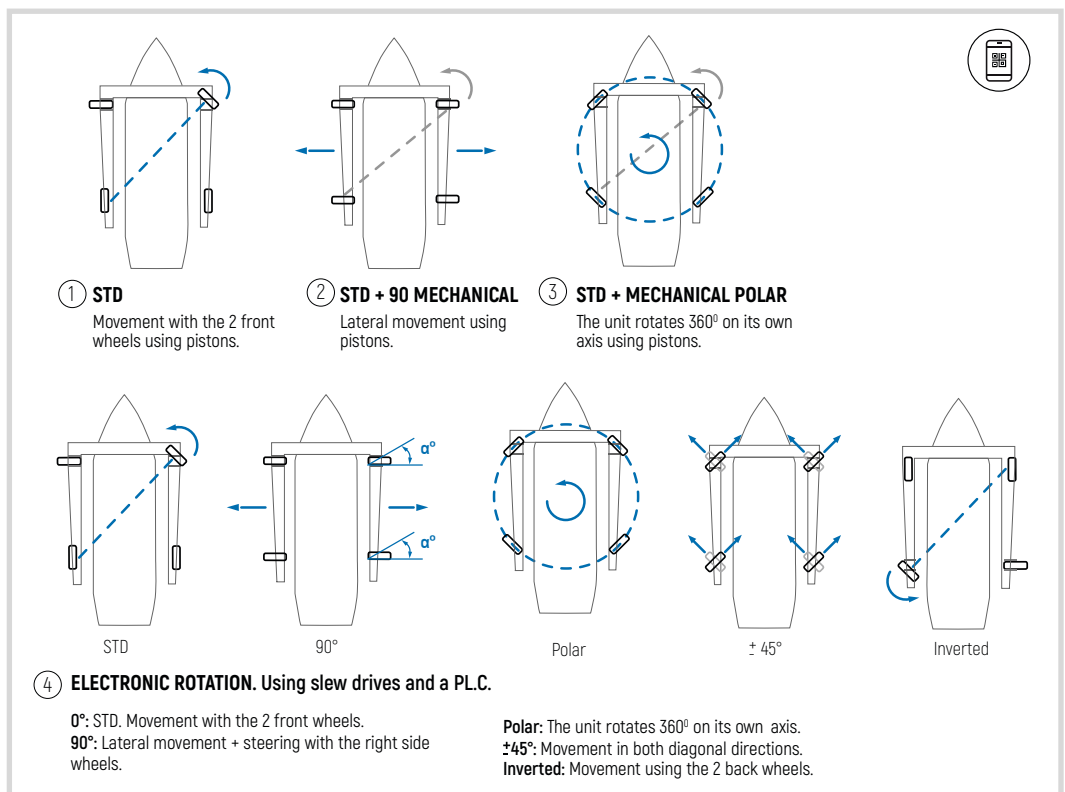
Download the app to get the full Augmented Reality experience. To activate it, please make sure your phone's camera points at the area within the grey rectangle.



Android



iOS





MARINE JIB CRANES

THE PERFECT SOLUTION FOR LIFTING LIGHT LOADS EASILY, SAFELY, AND PROFITABLY.

PERSONALIZED AND FAST INSTALLATION Two types:

1) Standard; and 2) Sailboat (specific for hoisting sailboats).

FLEXIBILITY AND TOP PERFORMANCE with 360° electronic rotation and variable speed drive for all movements.

ROBUST AND EXTREME DURABILITY with components and treatments specifically designed for marine environments: anti-corrosion protection, electric hoist with special galvanized wire rope for maximum service life.

BASIC CAPABILITIES



LIFTING CAPACITY:
2,5 t - 25 t



REACH:
UP TO 10 m



HEIGHT:
UP TO 15 m



ROTATION: **360°**



BOAT TRANSPORTER

A BOAT TRANSPORTER IS A HYDRAULIC MACHINE THAT IS USED TO MOVE BOATS WITHIN A MARINA/PORT.



This system makes it easy to move dry-docked boats for marina storage maneuvers as well as inspections and maintenance.

BASIC CAPABILITIES



LIFTING CAPACITY:
10 t - 100 t



ROTATION: **4 ROTATION MODES**



FLOOR-MOUNTED SUPPORT



LAUNCHER



AUTOMATED



DRY DOCKS

THE SIMPLEST SOLUTION TO INCREASE YOUR DRY DOCK'S CAPACITY AND IMPROVE SERVICE.

All of our designs are adapted to each client's specific needs. Just let us know if you prefer fully automated, semi-automated, or manual.

Taking advantage of dry dock space, while adapting to your clients' needs.

Dry dock construction support for each user to help find the most suitable solution together.

Easy boat delivery that provides the vessel in a matter of minutes.

Storing boats out of water for better preservation and security.

BASIC CAPABILITIES



LIFTING CAPACITY:
2,5 t - 12 t



LENGTH: **UP TO 15 m**



HEIGHT: **UP TO 6 LEVELS** (25 m)



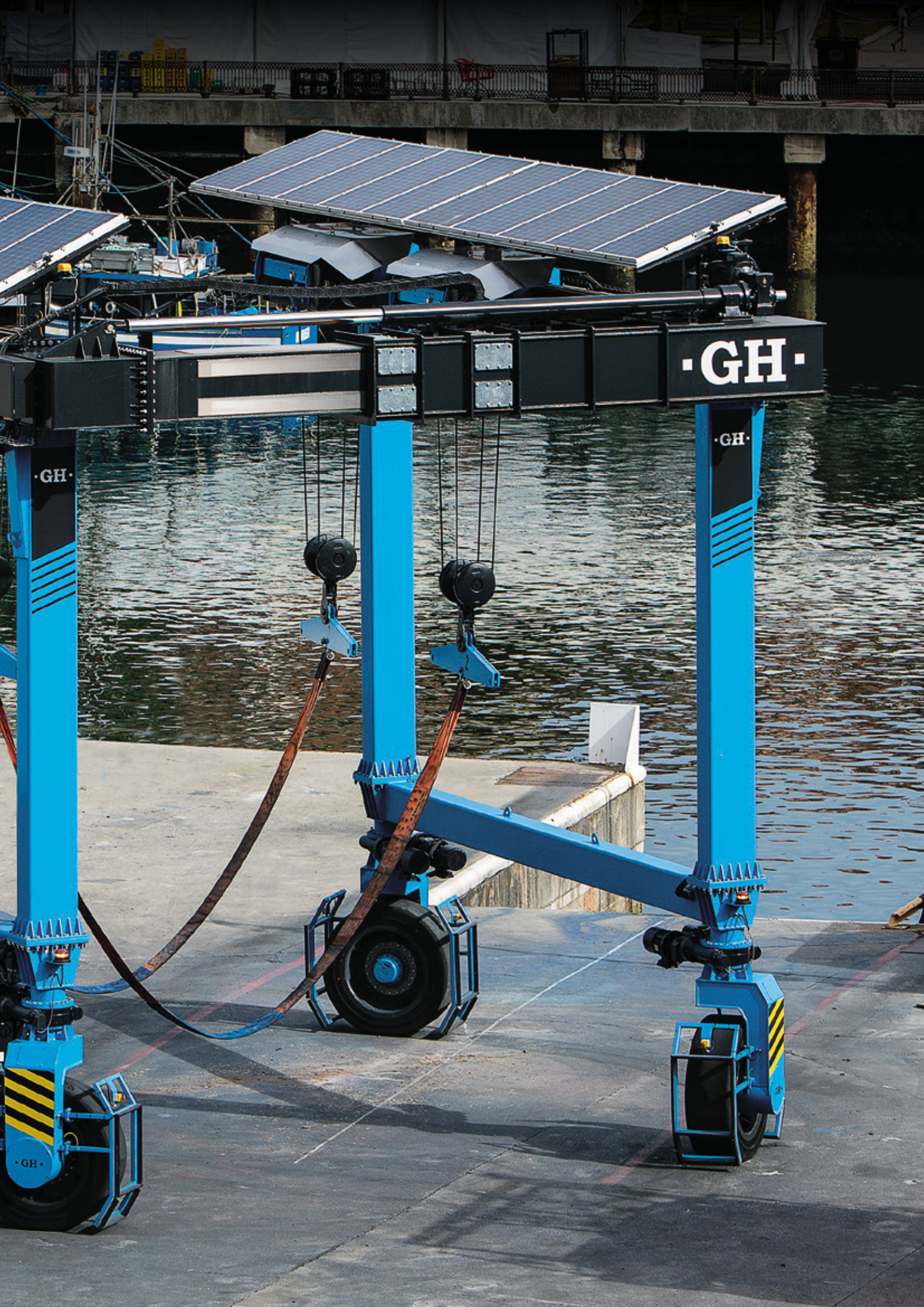
e·MOTION

FULL-ELECTRIC SERIES

No emissions. No leaks.

GH presents its jump into clean energy for its automotive RTGs by introducing GH70e, a full electric boat hoist with 65t capacity. A high performance ion-lithium battery pack with 10 years warranty provides a full working day of independent operation and its fast charger aids its recharge. GH is committed to sustainability, incorporating an optional independent solar panel support system that provides up to 20% of the daily energy used.

- / **Able to incorporate a variable span system that improves dry-docking efficiency for boats with different widths.**
- / **Electronic steering offers complete maneuvering versatility.**



·GH·

·GH·

·GH·

·GH·

Innovation and the future

COMMITTED TO THE FUTURE

Lines of research in environmental sustainability, transforming the machine into a smart device through monitoring, and applying the "Industry 4.0" concept throughout, as well as using the most advanced communication technologies, all of which connect us to the future and solidify our commitment to an unquenchable thirst to add value to our clients' balance sheets.

Ad hoc developments.

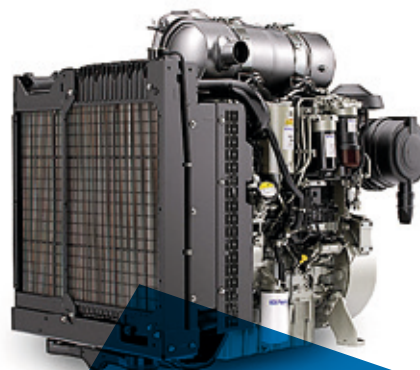
4.0



COMMITTED TO SUSTAINABILITY

Our R&D strategy, and our clear focus on providing complete solutions, has led us to incorporate new elements into our products that promote environmental sustainability and adherence to energy efficiency standards, all without compromising our efficiency and the value we provide to all of our clients.

Recovering energy to be reused, and the new ways our products operate based on clean technologies, puts us on the cutting edge of our commitment to sustainability.

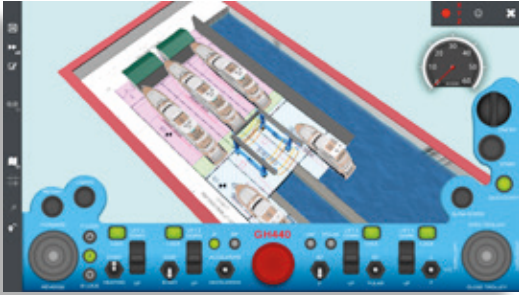


Emissions comply with each country's regulations.

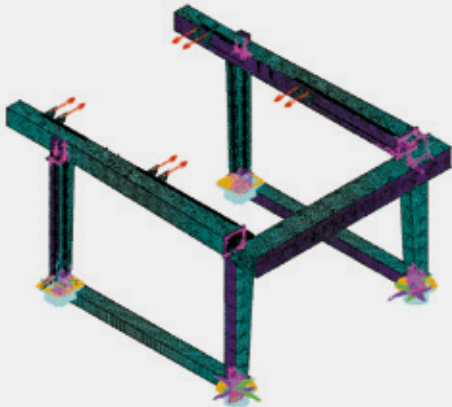


my**GH**motion

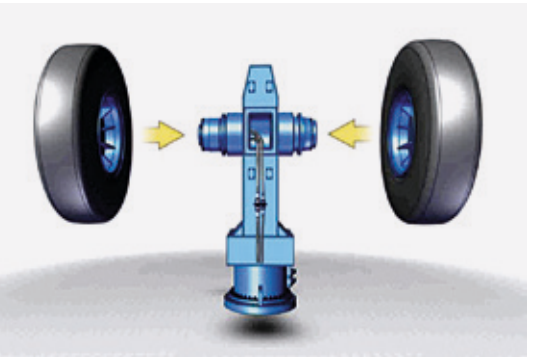
1 Scaled representation of our clients' work options with our machines.



2 Structure calculation tools using finite elements.



3



Metrology lab:
for piece dimension control.

Real-time monitoring
of manufacturing status.

Lasertracker.
Crane dimension control.

4

Once we **commission the crane:**



With the **"Service Mobile" app** we manage preventative and corrective maintenance actions.



Client Portal. A platform providing up-to-date crane information that both GH and the client can access.



Remote monitoring of the crane's operating data in real time. Making preemptive and corrective maintenance more efficient.

COMMITTED TO EFFICIENT COMPREHENSIVE CLIENT MANAGEMENT

From the moment the proposal is created, the client becomes a key collaborator throughout our process.

Through a real simulation program designed exclusively by GH MOTION, the client can have a clear understanding of their machine as installed in its real-life location, showing all of its handling capabilities, obstacles to avoid inefficiencies, and aspects that optimize all advantages at its installation site.

GH Group

HISTORY

GH CRANES & COMPONENTS is a family company with more than 65 years of experience on the market, making it a global leader in the lifting sector (hoists, bridge cranes, boat hoists, transfer carts), operating around the world with more than 1000 employees. GH's headquarters are located in Spain, with 10 industrial plants distributed around the world in strategic markets.

Alongside its main line of business, GH has developed a business around the cranes it produces to advise clients throughout the sales and assistance cycle.

6 BUSINESS UNITS



STANDARD SOLUTIONS



SPECIAL SOLUTIONS



COMPREHENSIVE MANUFACTURERS OF COMPONENTS AND MECHANISMS



GH MOTION MOBILE SYSTEMS



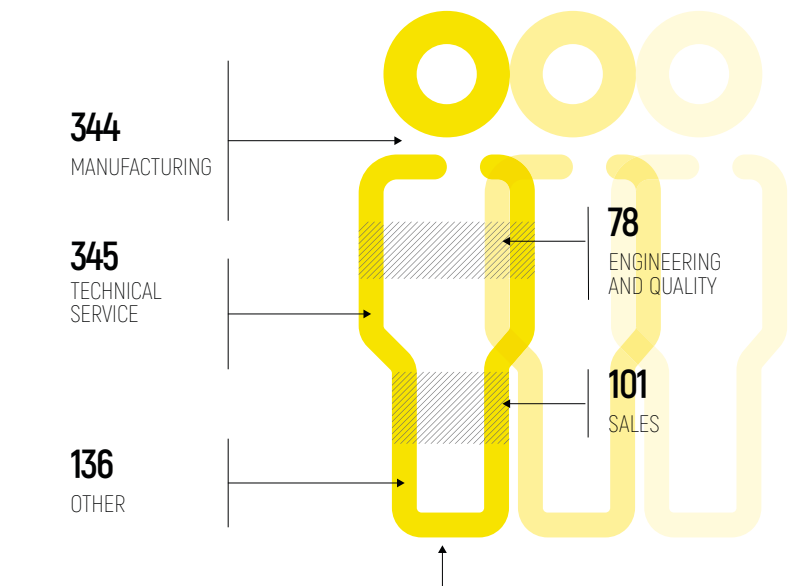
GLOBAL SERVICE



EX SOLUTIONS
ATEX
IECEX

125 000
CRANES SOLD
AROUND THE WORLD

MORE THAN 65 YEARS ON THE LIFTING MARKET MEANS EXPERIENCE IS OUR KEY ASSET



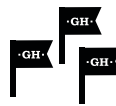
+1000 PEOPLE AROUND THE WORLD



10 MANUFACTURING PLANTS IN STRATEGIC MARKETS



DIRECT PRESENCE WITH OUR OWN BRANCHES IN **15 COUNTRIES**



COMMERCIAL PRESENCE IN MORE THAN **70 COUNTRIES** WITH OUR LOCAL COLLABORATORS

AMONG THE **TOP 5**

CRANE MANUFACTURERS WORLDWIDE



WE ARE **LEADERS** IN SPAIN AND PORTUGAL

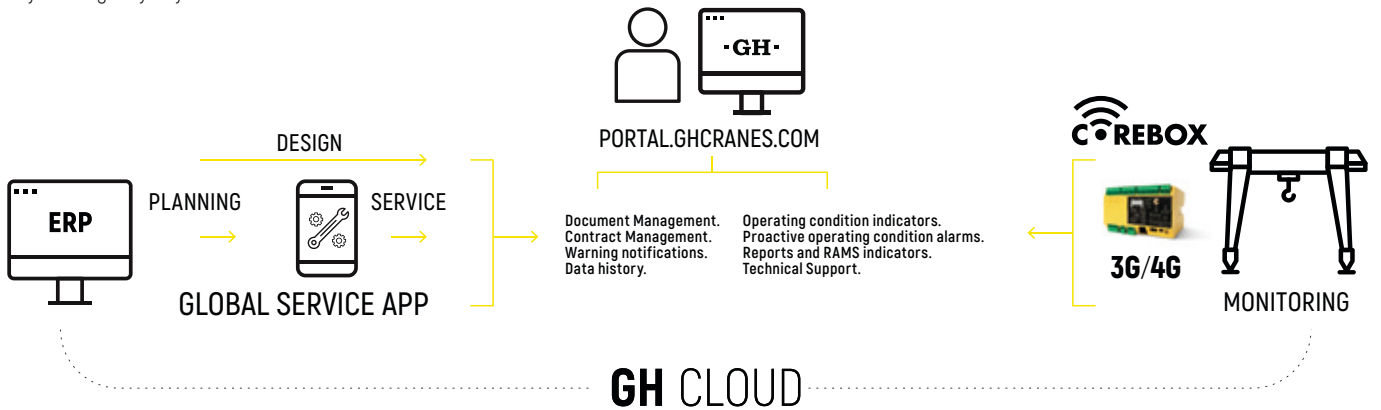
Local service

SERVICE ANYWHERE IN THE WORLD



Our capability and organizational structure as integral manufacturers of our entire product puts us in a position of leadership. This status is complemented by the development of an extensive service network that can respond to all of our clients' needs.

In this sense, GH CRANES & COMPONENTS is backed by a large group of professionals that are prepared to address any contingency anywhere in the world.



QUALIFIED PROFESSIONALS

An exceptional team of professionals with years of experience across a multitude of sectors is what makes our projects possible. Our service is the result of the commitment we have earned from our clients, for whom we will continue to minimize downtime by acting before problems arise with preemptive and preventative maintenance backed by the latest 4.0 technology.



SPAIN

GH CRANES & COMPONENTS

CENTRAL OFFICE

Apdo. 27 - B Salbatore
20200 Beasain (Gipuzkoa) Spain
T +34 943 805 660
F +34 943 888 721
ghcranes@ghcranes.com
www.ghcranes.com

GH GLOBAL SERVICE

Polígono Basozabal, 2
20212 Olaberria (Gipuzkoa) Spain
T +34 902 205 100
globalservice@ghcranes.com

MECANIZADOS ALSASUA, S.L. MACHINING CENTRE

Polígono Ibarria, 37
31800 Altsasu (Navarra) Spain
T +34 948 467 625

GH GUERRA MANUTENCIÓN GUEMA, S.A. CRANE MANUFACTURE

Aiztiko Ind., 3
31810 Bakaiku (Navarra) Spain
T +34 948 562 611

BRAZIL

GH DO BRASIL IND. E COM. LTDA.

Acesso pela Rod. Dom Gabriel
PB. Couto, Km 81
13313-000 Cabreúva, Brazil
T +55 1144090066
vendas@ghcranes.com.br

CHINA

GH (SHANGHAI) LIFTING EQUIPMENT CO., LTD.

Floor 7, No. 966, Huaxu
Road 201702 Qingpu District
(Shanghai) China
T +86 21 5988 7676
ghchina@ghcranes.com

COLOMBIA

GH COLOMBIA SAS

Carrera 48 No 91-93 Castellana
Bogotá, Colombia
T +57 (1) 7504427
ventasghcolombia@ghcranes.com

FRANCE

GH FRANCE, SA

ZI Le Pan Loup
Rue du Moulin de la Rousselière
44800 Saint-Herblain, France
T +33(0) 240 861 212
ghfrance@ghcranes.com

INDIA

GH CRANES INDIA PVT. LTD.

A-3, Saket District Centre,
District Centre, Sector 6,
Pushp Vihar, Delhi Rd.,
Pune 110017, India
T +91 7030 70 5000
ghindia@ghcranes.com

KINGDOM OF SAUDI ARABIA INDUSTRIAS ELECTROMECÁNICAS GH, S.A.

Building No. 2634
Ibn Sina, King Khalid Branch Road
Al Khobar 6245 - 34627, Kingdom
of Saudi Arabia
T +966 54 2734345
gharabia@ghcranes.com

MEXICO

GRUAS GH MEXICO SA DE CV

Retorno 1, nº 28.
Fraccionamiento Agroindustrial
La Cruz
El Marqués 76240 Queretaro,
Mexico
T +52 44 22 77 55 03
+52 44 22 77 50 74
ghmexico@ghsa.com.mx

PERU

GH PERÚ S.A.C

Calle Bolognesi, 125 Of. 19,
Miraflores
15074 Lima, Peru
T +51 1 734 32 99
+51 987816231
ventasghperu@ghcranes.com

POLAND

GH CRANES SP. Z O.O

Ul. Górnicza 2b
42-100 Kłobuck, Poland
T +48 34 359 73 17
office@ghsa.pl

PORTUGAL

GH PORTUGAL

Zona industrial do Soeiro, Lote 9
4745-399 São Mamede do
Coronado - Trofa, Portugal
T +351 229 821 688
geral@ghcranes.com

THAILAND

LGH CRANES CO., LTD

137/4 Moo 8, Nongsak-Noenmok
Road, Nong I-run, Ban Bueng
20220 Chonburi, Thailand
T +66 (0)-2327 9399
F +66 (0)-2327-9371
ghthailand@ghcranes.com

UNITED ARAB EMIRATES

Abu Dhabi

GH CRANE SERVICES LLC OPC
Office No - 95 Building Nasser
al Suweidi, Plot 22 Mussafah M39
P.O Box 132761
Abu Dhabi, United Arab Emirates
T +971 2 681 2671
gharabia@ghcranes.com

Dubai

GH CRANES ARABIA FZCO

Office No. 2501, 25th Floor
Jafza One-Tower A,
Jebel Ali Free Zone.
P.O Box No, 263594
Dubai, United Arab Emirates
T +971 4 881 0773
gharabia@ghcranes.com

Ras Al Khaima

GH CRANES & COMPONENTS FZ LLC

Shed No. 16-17-22
Al Hamra Industrial Zone-FZ,
P.O Box 54729
Ras Al Khaima, United Arab Emirates
T +971 7 266 3648
gharabia@ghcranes.com

USA

GH CRANES & COMPONENTS

Illinois

SPARE PARTS Y COMPONENTS

9134 Gulfstream Road
60423 Frankfort (Illinois), U.S.A.
T +1 972 563 8333
ghcranesusa@ghcranes.com

Texas

MANUFACTURE AND SERVICE

14891 Hwy 205
75160 Terrell (Texas), U.S.A.
T +1 972 563 8333
ghcranesusa@ghcranes.com